

ENGINEERING CHANGE BULLETIN # 10017

Date Change Effective: 11/15/2013
Part number: LPPCxx2KFMS-M423RC
Drawing number: 11944 rev C

Explanation of configuration change:

Insulator stacker has been changed from Fig. 1 to Fig. 2.

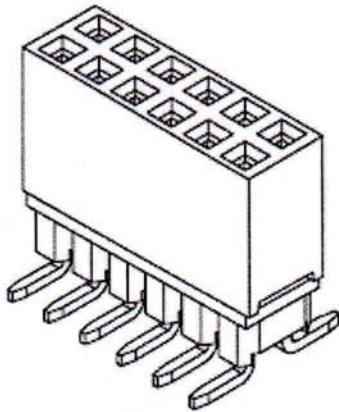


Fig. 1

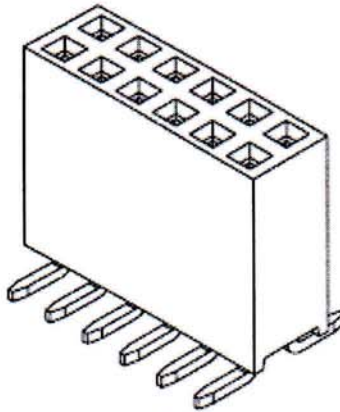


Fig. 2

Configuration impacts for fit, form, and function are: None

Existing parts will remain active for purchase?

Yes No

New or revised parts are interchangeable to the previous part applications?

Yes No

Engineering Approval:

Date: 11/15/2013

Russell Cody

(Signature)



Distribution: Sales/Purchasing/Manufacturing Operations/Quality Assurance/Document Control/Technical Support/Customers