



801 E Mission Rd, San Marcos CA 92069 P:760-744-0125 F:760-744-6081 www.sullinscorp.com

FORM
DOC QF-7.3.7 Rev –
10/27/2010

ENGINEERING CHANGE BULLETIN # 10014

.156” Pitch Male Connector Design Improvement

Date Effective: 10/29/12

Part Number:

__M__MMR(MN)_, (Dwg# 10074)

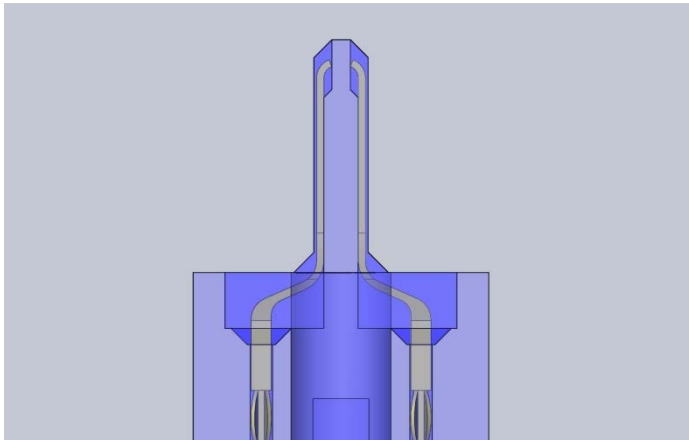
__M__MMW(MS, MM)_, (Dwg# 10075)

__M__MMA(MV, MB, MD, MJ, MK)_, (Dwg# 10076)

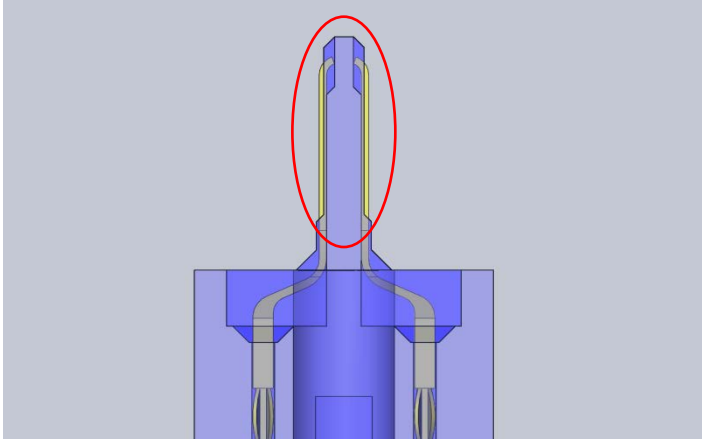
Explanation of design change:

Removed plastic material that projected above contact area to improve mating contact resistance and to eliminate the possibility of intermittent contact between male and female connectors.

Before



After



Change impacts for fit, form, and function are: No.

Existing parts will remain active for purchase: Yes.

New or revised parts are interchangeable to the previous part applications? Yes.

Engineering Approval:

Truong Tran

(Signature)

Distribution: Sales/Purchasing/Manufacturing/Quality Assurance/Document Control/Technical Support/Customer