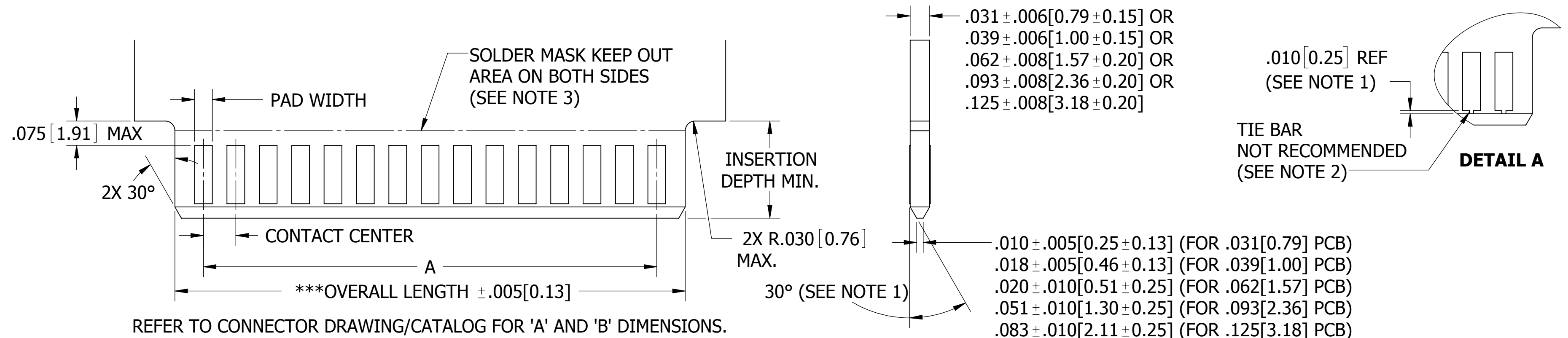


CONTACT CENTERS		MAXIMUM PAD WIDTH (INCH)**								***OVERALL LENGTH
		.431[10.95] INSULATOR HEIGHT		.610[15.49] INSULATOR HEIGHT		.720[18.29] INSULATOR HEIGHT		.915[23.24] INSULATOR HEIGHT		
INCH	MM	INCH	MM	INCH	MM	INCH	MM	INCH	MM	INCH [MM]
0.039	1.00	N/A	N/A	0.030	0.76	N/A	N/A	0.030	0.76	B - .011[0.26]
0.050	1.27	N/A	N/A	0.040	1.02	N/A	N/A	0.040	1.02	B - .011[0.26]
0.100	2.54	0.070	1.78	0.070	1.78	N/A	N/A	N/A	N/A	B - .014[0.36]
0.125	3.18	0.100	2.54	0.090	2.29	0.100	2.54	N/A	N/A	B - .014[0.36]
0.150	3.81	N/A	N/A	0.090	2.29	0.120	3.05	N/A	N/A	B - .014[0.36]
0.156	3.96	0.120	3.05	0.090	2.29	0.120	3.05	N/A	N/A	B - .014[0.36]

** BASED ON 1 OZ COPPER FOR 1MM & .050" CONTACT CENTERS, 2 OZ COPPER FOR .100", .125", .150" & 156" CONTACT CENTERS.

REVISIONS				
REV.	ECO. NO	DESCRIPTION	DATE	BY
J	3067	UPDATE .031 PCB TOLERANCE, ADD MM DIMENSIONS	9/22/2014	JHSU
K	3179	ADD 1mm THICK PCB DIMENSIONS, REMOVE BETWEEN-POSITION KEY FOR 1mm PITCH	3/27/2015	JHSU
L	3656	ADDED NOTES 1, 2, 3, 4 & DETAIL A, UPDATE RECOMMENDED PCB OVERALL LENGTH	4/14/2017	TT/JH



P/N'S CALLING OUT MOLDED KEY MODIFICATION

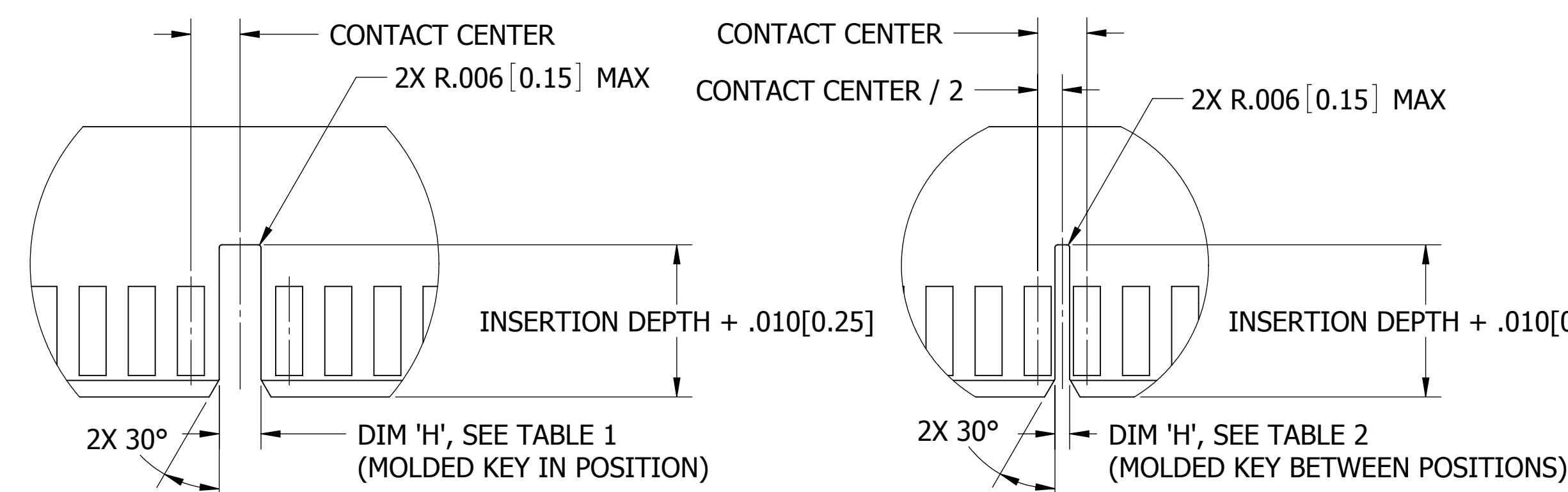


TABLE 1:

CONTACT CENTERS		DIM 'H' (MOLDED KEY IN POSITION) (TOLERANCE: ±.002[0.05])			
		.431[10.95] INSULATOR HEIGHT		.610[15.49] INSULATOR HEIGHT	
INCH	MM	INCH	MM	INCH	MM
0.039	1.00	N/A	N/A	0.033	0.84
0.050	1.27	N/A	N/A	0.033	0.84
0.100	2.54	0.080	2.03	0.070	1.78
0.125	3.18	0.080	2.03	0.070	1.78
0.150	3.81	0.080	2.03	0.070	1.78
0.156	3.96	0.100	2.54	0.070	1.78

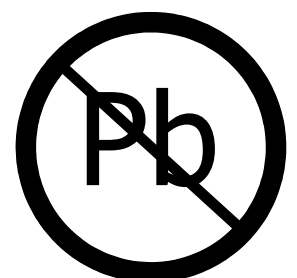
* PRESS FIT, .031[0.79] x .062[1.57] PINS, .045[1.14] SQ. PINS, HIGH PROFILE MBB, AND ALL OTHER CONNECTORS NOT LISTED HERE. PLEASE CONSULT FACTORY

TABLE 2:

CONTACT CENTERS		DIM 'H' (MOLDED KEY BETWEEN POSITIONS) (TOLERANCE: ±.002[0.05])			
		.431[10.95] INSULATOR HEIGHT		.610[15.49] INSULATOR HEIGHT	
INCH	MM	INCH	MM	INCH	MM
0.050	1.27	N/A	N/A	0.030	0.76
0.100	2.54	0.040	1.02	0.050	1.27
0.125	3.18	0.065	1.65	0.075	1.91
0.150	3.81	0.040	1.02	0.048	1.22
0.156	3.96	0.042	1.07	0.048	1.22

* PRESS FIT, .031[0.79] x .062[1.57] PINS, .045[1.14] SQ. PINS, HIGH PROFILE MBB, AND ALL OTHER CONNECTORS NOT LISTED HERE. PLEASE CONSULT FACTORY

- NOTES:
- DO NOT CHAMFER THROUGH PLATED PADS.
 - NO TIE BARS ON LEADING EDGE OF PADS.
 - NO SOLDER MASK AROUND PADS.
 - HARD ELECTROLYTIC NICKEL/GOLD PLATED PADS (OR NICKEL/TIN FOR TIN PLATED CONNECTOR).



RoHS COMPLIANT

UNLESS OTHERWISE SPECIFIED: DIMENSIONS ARE IN INCHES [MM]	DRAWN	DATE	NAME	
		8/15/2011	JH	
TOLERANCES: ANGULAR: ± 30' .XX=± .02 [.5] .XXX=± .005 [.13] .XXXX=± .0005 [.013]	THE INFORMATION HEREIN CONTAINS PROPRIETARY INFORMATION OF SULLINS ELECTRONICS AND IS NOT TO BE REPRODUCED, USED OR DISCLOSED TO OTHERS FOR ANY PURPOSE EXCEPT AS SPECIFICALLY AUTHORIZED IN WRITING BY AN OFFICER OF SULLINS ELECTRONICS.			TITLE
	INTERPRET DIMENSIONS AND TOLERANCING PER: ASME Y14.5M-2009			RECOMMENDED MATING PCB LAYOUT
PART NUMBER				N/A
SIZE	CAGE CODE	DWG. NO.	REV	
C	54453	900	L	
SCALE: 4:1		SHEET 1 OF 1		